

USB 2Bx1A/4Bx1A

Signal Switch

User Manual

Ver. 1.00

Contents:

Chapter 1: Introduction	3
1.1 Product Introduction	3
1.2 Features	3
1.3 System Requirements	4
1.4 Package Contents	5
Chapter 2: Getting Started	5
2.1 Hardware Layout	6
2.2 Hardware Installation	9

Chapter 1: Introduction

1.1 Product Introduction

The USB 2Bx1A/4Bx1A Signal Switch that allows up to 2/4 computers to share the use of a single USB peripheral device (such as printer, scanner, mass storage drive, etc.) one-at-a-time basis.

1.2 Features

- Enables two (USB 2Bx1A Switch) or four (USB 4Bx1A Switch) computers to

share a single USB peripheral device

- Simple port selection via pushbuttons
- USB 2.0 compliant
- Supports transfer rates up to 480Mbps
- Multiplatform support – Windows and Mac
- Bus-powered
- Hot pluggable
- Supports multifunction printers

1.3 System Requirements

Computers

The following equipment must be

installed on each computer that is to be connected to system:

- USB Host Controller
Cables
- USB to USB cables to connect the computers to the peripheral device

1.4 Package Contents

- 1 x USB 2Bx1A/4Bx1A Signal Switch
- 1 x User Manual

Chapter 2: Getting Started

2.1 Hardware Layout

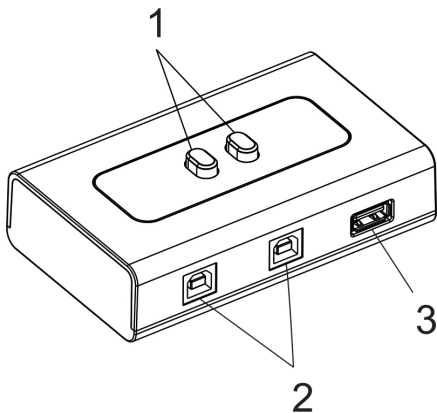


Figure 1: USB 2Bx1A Signal Switch

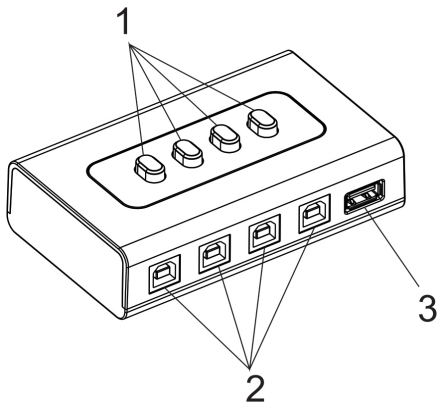


Figure 2: USB 4Bx1A Signal Switch

No.	Component	Description
1	Port Selection Pushbuttons	Pressing a Port Selection Pushbutton brings control to the computer attached to its corresponding port.
2	USB Type B Computer Port	Your computers plug into these ports
3	USB Type A Peripheral Port	Your USB 2.0 peripheral device plugs into this port

2.2 Hardware Installation

The USB 2Bx1A/4Bx1A Signal Switch provides 2/4 USB Type B ports for computers to connect to, and one USB Type A port for the peripheral device (multifunction printer, scanner, mass storage device, etc.) that the computers will share.

To install the USB 2Bx1A/4Bx1A Signal Switch, do the following:

1. Use your USB device's USB cable to connect it to the USB 2Bx1A/4Bx1A Signal Switch's USB Type A port.

2. Plug the USB Type B connector of the USB Type A to USB Type B cable into any available port on the USB 2Bx1A/4Bx1A Signal Switch.
3. Plug the Type A connector into the computer's USB host port.
4. Repeat steps 2 and 3 for any other computers you are installing.